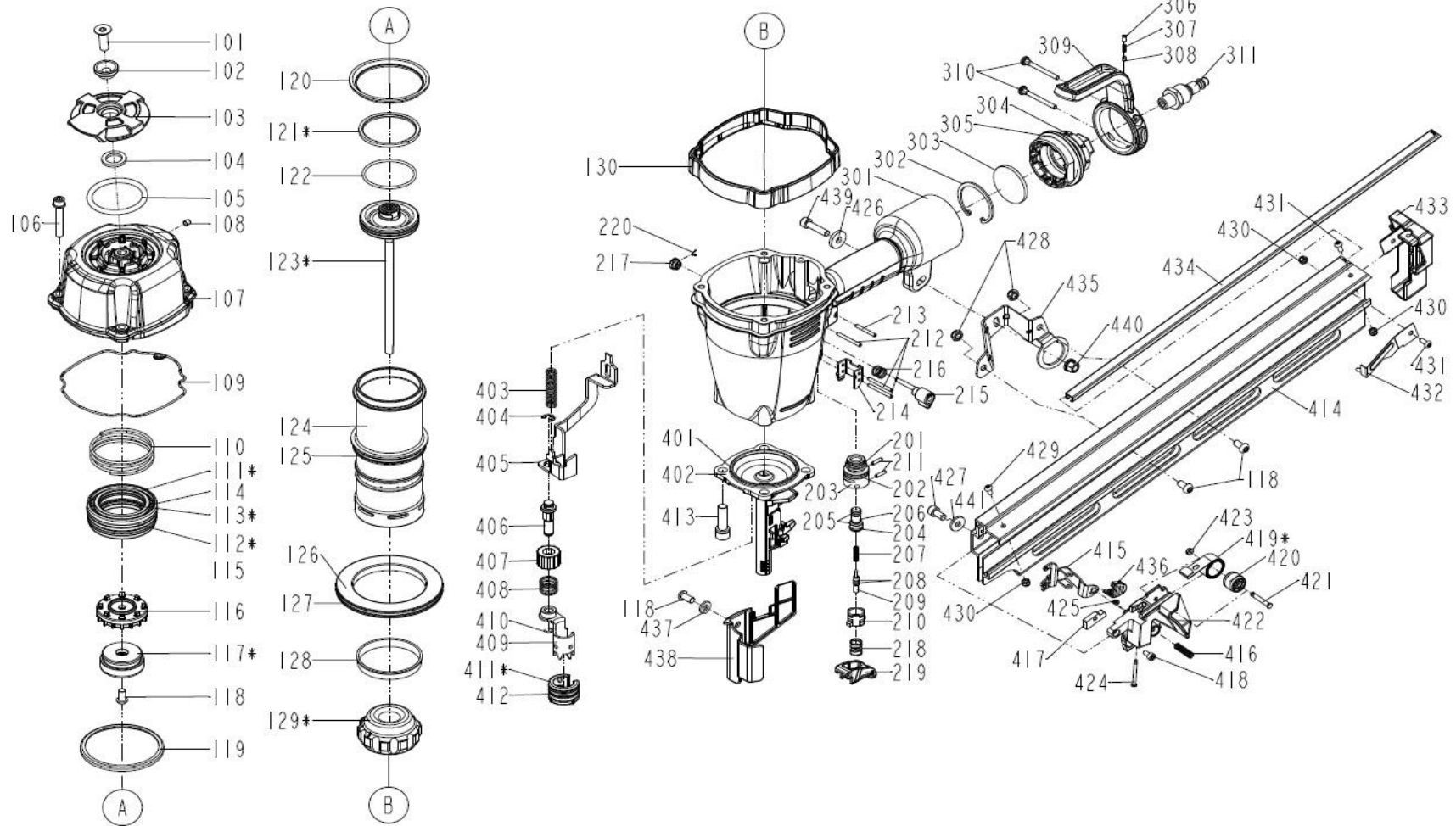


Framing nailer ESSVE FN 21/90



Framing nailer ESSVE FN 21/90

Pos	Art. Nr.	Name	Pos	Art. Nr.	Name	Pos	Art. Nr.	Name	Extras:
101	2040103050102	COUNTER SUNK SCREW	209		PLUNGER	416		SPRING	
102	1136B03747011	DEFLECTOR PAD	210		TRIGGER VALVE HEAD	417		SQUARE UNITS	
103	1137103747071	DEFLECTOR	211		SPRING PIN	418		HEX.SOC.HD.BOLT	
104	1135G03747011	RUBBER PAD	212		SPRING PIN	419*		SPRING	
105	1132P03700021	MUFFLER ASSY	213		SPRING PIN	420		ROLLING ELEMENT	Service kits:
106		BOLT ASSY	214		SAFETY GUIDE	421		ROLL PIN	901071
107		CAP	215		HINGE POINT	422		PROTECTING HOOD COVER	901075
108		HEX.SOC.HD.SCREW	216		SPRING	423	1135H07900011	PU RETAINER	901073
109		CYLINDER CAP SEAL	217	1131M03747011	LOCATING WHEEL	424		TRIGGER PIVOT PIN	901081
110		COMPRESSION SPRING	218	1137603700011	SPRING	425	1131D04600011	URETHANE RETAINER	901069
111*		O - RING	219	1122403700011	TRIGGER UNIT	426		FLAT WASHER	901193
112*		O - RING	220	1131C03700011	RING	427		HEX.SOC.HD.BOLT	
113*		O - RING	301		GUN BODY UNIT	428		LOCK NUT	
114		HD.VALVE PISTON	302		C - RING	429		HALF ROUND HD.HEX.BOLT	
115		COLLAR	303		FILTER	430		LOCK NUT	
116		VALVE	304	11346037A1031	END CAP	431		HALF ROUND HD.HEX.BOLT	
117*	1137003700041	SEAL	305	2041108050400	O - RING	432		STOP NAIL PLATE	
118		HALF ROUND HD.HEX.BOLT	306	2040104020200	HEX.SOC.HD.SCREW	433		PROTECTING HOOD COVER	
119		PRESS RING	307	1434700300011	POSITIONING SPRING	434		STEEL CHANNEL	
120		PRESS RING	308	1136C00847011	POSITIONING SHAFT	435		BRACKET	
121*		PISTON RING	309	1133D03747031	SPRING RETAINER	436		GLOVE	
122		O - RING	310		SCREW	437		FLAT WASHER	
123*		DRIVER UNIT	311		AIR PLUG	438		COVER-SAFETY	
124		CYLINDER	401		O - RING	439		HEX.SOC.HD.BOLT	
125		O - RING	402		NOSE PIECE	440		BOLT CAP	
126		CYLINDER SPACER	403		SAFETY SPRING	441		FLAT WASHER	
127		O - RING	404		E - RING				
128		CYLINDER RING	405		SAFETY B				
129*		BUMPER	406		ADJUST ROD UNIT				
130		PROTECTIVE CUSHION	407		ADJUST AXIE				
201		O - RING	408		SAFETY SPRING A				
202		O - RING	409		SAFETY A				
203		PLUNGER CAP	410		RING				
204		O - RING	411*		PROTECTIVE CASING				
205		O - RING	412		FIXED RING				
206		VALVE PLUNGER	413		BOLT ASSY				
207		SPRING	414		MAGAZINE A				
208		O - RING	415		PUSHER				

