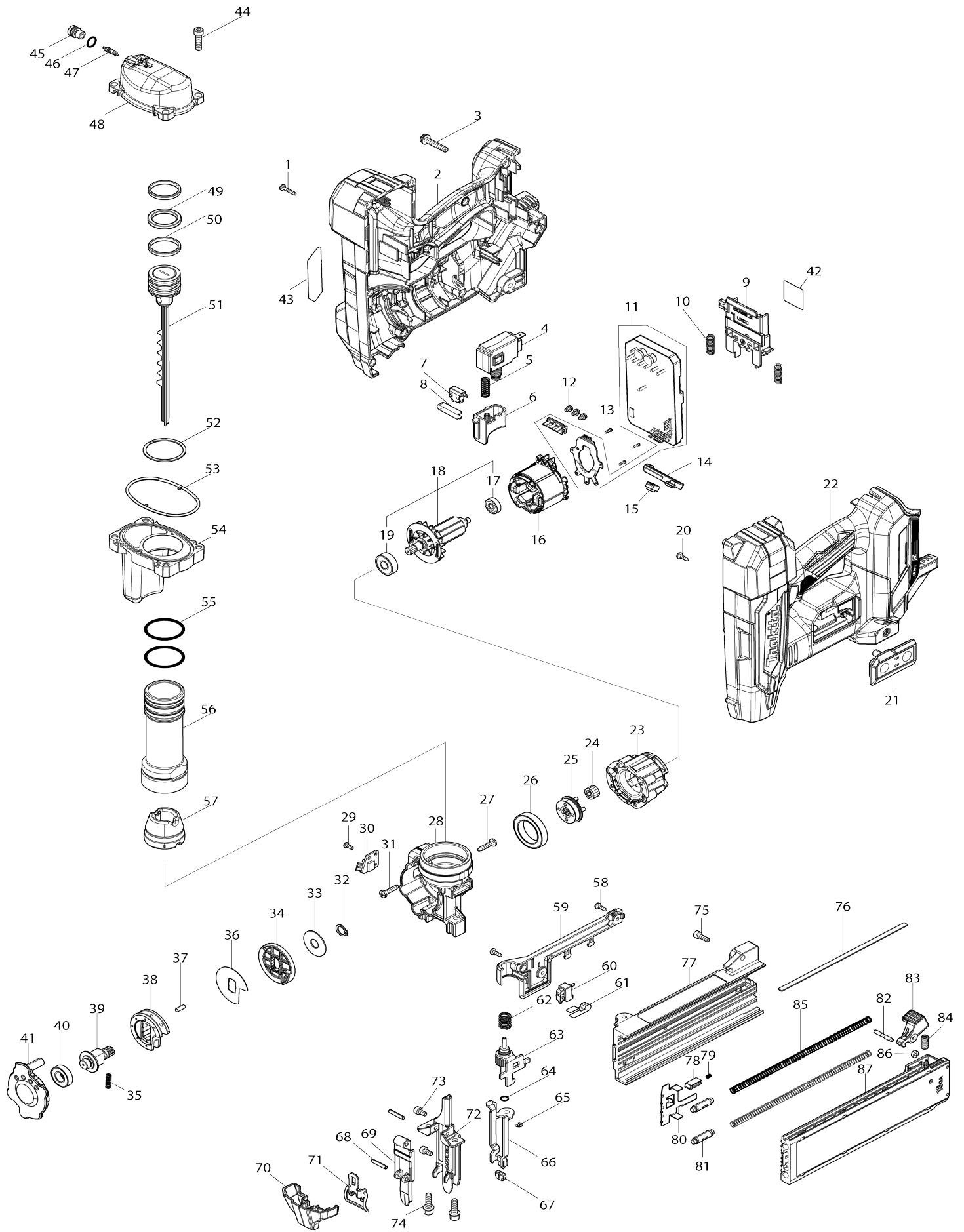


Model No.DBN501 50MM CORDLESS BRAD NAILER



Model No.DBN501 50MM CORDLESS BRAD NAILER

Item No.	Parts No.	Description	Interc hang eabilit y	Q'ty	New/ Old	Note1	Note2
001	266130-9	TAPPING SCREW BIND PT 3X16		11			
002	1831D7-6	HOUSING SET		1			
C10	263005-3	RUBBER PIN 6		2			
C20	252126-6	HEX. LOCK NUT M4-7		2			
C30	252103-8	HEX. LOCK NUT M5-8		1			
002		INC. 22					
003	911248-8	PAN HEAD SCREW M5X28		1			
004	650060-8	SWITCH C3JR-5BM-PAND-2		1			
005	232884-0	COMPRESSION SPRING 7		1			
006	4130V7-5	TRIGGER		1			
007	632V61-0	SWITCH UNIT		1			
008	232889-0	LEAF SPRING		1	*		
008-1	232889-0	LEAF SPRING	O	1			
009	654908-6	TERMINAL		1			
010	232876-9	COMPRESSION SPRING 7		2			
011	620P12-9	CONTROLLER		1			
012	652069-6	FLAT HEAD SCREW M3X6		3			
013	266490-9	TAPPING SCREW PT 2X6		3			
014	4130V8-3	LED HOLDER		1			
015	620P87-8	LED CIRCUIT		1			
016	629A28-1	STATOR		1			
017	210231-5	BALL BEARING 625ZZ		1			
018	519865-4	ROTOR ASS'Y		1			
018		INC. 17,19					
019	210005-4	BALL BEARING 608DDW		1			
020	266007-8	TAPPING SCREW BIND PT 3X10		2			
021	620P99-1	SWITCH CIRCUIT COMPLETE		1			
022	1831D7-6	HOUSING SET		1			
C10	263005-3	RUBBER PIN 6		2			
C20	252126-6	HEX. LOCK NUT M4-7		2			
C30	252103-8	HEX. LOCK NUT M5-8		1			
022		INC. 2					
023	122G77-8	GEAR ASSEMBLY		1			
024	227B71-6	SPUR GEAR 14		4			
025	141Y39-5	CARRIER COMPLETE		1			
026	210168-6	BALL BEARING 6805DDW		1			
027	265995-6	TAPPING SCREW 4X18		2	*		
027-1	265E16-4	TAPPING SCREW 4X18	<	2			
028	141Y44-2	INNER HOUSING COMPLETE		1			
029	911007-0	PAN HEAD SCREW M3X8		1			
030	620P94-1	SENSOR CIRCUIT		1			
031	265995-6	TAPPING SCREW 4X18		4	*		
031-1	265E16-4	TAPPING SCREW 4X18	<	4			
032	961006-2	RETAINING RING S-10		1			
033	347C87-2	FLAT WASHER 10		1			
034	162D44-3	HOLDER COMPLETE		1			
035	232885-8	COMPRESSION SPRING 4		1			

036	347C81-4	LIFTER PLATE		1		
037	256173-9	PIN 3.5		6		
038	327E03-2	LIFTER		1		
039	327E09-0	LIFTER SHAFT		1		
040	211391-6	BALL BEARING 6900LLU		1		
041	4130V1-7	LIFTER CAP		1		
042	8148K6-5	DBN501 SERIAL NO. LABEL		1		
043	8148K4-9	DBN501 NAME PLATE		1		
044	922232-8	HEX. SOCKET HEAD BOLT M5X20		4		
045	327D23-0	VALVE CAP		1		
046	213007-9	O RING 8		1		
047	243138-0	VALVE CORE		1		
048	312H24-5	TOP CAP		1		
049	213A78-2	X-RING 23		1		
050	4130T8-9	SLIDE RING		2		
051	137238-5	DRIVER ASSEMBLY		1		
052	259092-8	SPIRAL RETAINING RING (EXT)36		1		
053	422B82-8	SEAL RING		1		
054	141Y40-0	CHAMBER COMPLETE		1		
055	213479-8	O RING 33		2		
056	327D99-7	CYLINDER		1		
057	422B80-2	FRONT CUSHION		1		
058	266007-8	TAPPING SCREW BIND PT 3X10		3		
059	4130U1-0	ADJUSTER COVER		1		
060	141V44-4	SWITCH PLATE COMPLETE		1		
061	232883-2	LEAF SPRING		1		
062	232882-4	COMPRESSION SPRING 9		1		
063	141Y46-8	ADJUSTER COMPLETE		1		
064	213021-5	O RING 5		1		
065	961017-7	STOP RING E-3		1		
066	347C76-7	CONTACT ARM		1		
067	422B81-0	NOSE ADAPTER		1		
068	951066-2	SPRING PIN 3-18		2		
069	313569-8	DRIVER GUIDE		1		
070	4130T7-1	LATCH COVER		1		
071	162D43-5	LATCH		1		
072	313568-0	UNDER DRIVER GUIDE		1		
073	265911-8	HEX. SOCKET HEAD BOLT M4X8		2		
074	922228-9	H.S.H.BOLT M5X18 WITH WR		2		
075	922117-8	HEX. SOCKET HEAD BOLT M4X12		1		
076	347E02-8	NAIL PLATE		1		
077	141Y42-6	MAGAZINE COMPLETE		1		
C10	8082A9-3	CAUTION LABAL		1		
078	313591-5	STOPPER		1		
079	233018-8	COMPRESSION SPRING 3		1		
080	347C74-1	PUSHER		1		
081	459313-0	SLEEVE		2		
082	256877-3	PIN 3		1		
083	413329-9	LEVER		1		
084	233117-6	COMPRESSION SPRING 6		1		
085	232881-6	COMPRESSION SPRING 6		2		
086	262054-7	URETHANE RING 3		1		

087	141Y43-4	SLIDE DOOR COMPLETE		1			
A01	251314-2	+ TRUSS HEAD SCREW M4X12		1			
A02	346317-0	HOOK		1			
A03	422B81-0	NOSE ADAPTER		2			

Please state Parts No. when your order.

Print Date 02/21/2025