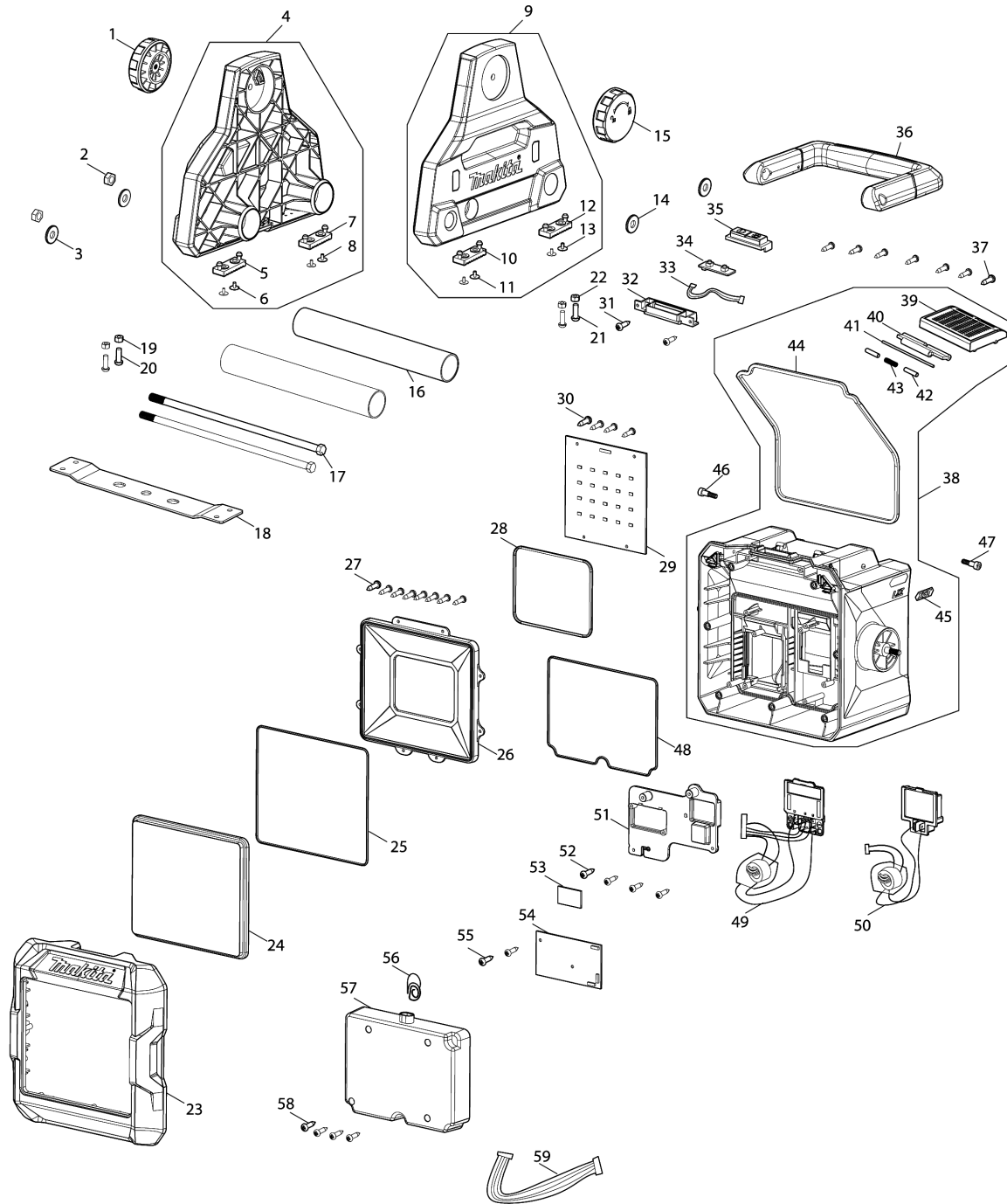


Model No.ML003G CORDLESS WORKLIGHT



Model No.ML003G CORDLESS WORKLIGHT

| Item | Parts No. | Description | I/C | Qty | New/Old | Opt. 1 | Opt. 2 | Note |
|------|------------|----------------------|-----|-----|---------|--------|--------|------|
| 001 | GM00002160 | LATCH KNOB ASSY | | 1 | | | | |
| 002 | GM00002158 | NUT M8 | | 2 | | | | |
| 003 | GM00002157 | METAL OD20XID8.5X2MM | | 2 | | | | |
| 004 | GM00002308 | STAND-LEFT ASSY | | 1 | | | | |
| D10 | | INC. 5-8 | | | | | | |
| 005 | GM00002154 | RUBBER FOOT | | 1 | | | | |
| 006 | GM00002164 | SCREW 3X6 PWB | | 2 | | | | |
| 007 | GM00002154 | RUBBER FOOT | | 1 | | | | |
| 008 | GM00002164 | SCREW 3X6 PWB | | 2 | | | | |
| 009 | GM00002307 | STAND-RIGHT ASS'Y | | 1 | | | | |
| D10 | | INC. 10-13 | | | | | | |
| 010 | GM00002154 | RUBBER FOOT | | 1 | | | | |
| 011 | GM00002164 | SCREW 3X6 PWB | | 2 | | | | |
| 012 | GM00002154 | RUBBER FOOT | | 1 | | | | |
| 013 | GM00002164 | SCREW 3X6 PWB | | 2 | | | | |
| 014 | GM00002157 | METAL OD20XID8.5X2MM | | 2 | | | | |
| 015 | GM00002160 | LATCH KNOB ASSY | | 1 | | | | |
| 016 | GM00002305 | STAND HOLDING TUBE | | 2 | | | | |
| 017 | GM00002304 | METAL BOLT M8 | | 2 | | | | |
| 018 | GM00002303 | BASE HOLDING PLATE | | 1 | | | | |
| 019 | GM00002155 | NUT M5 | | 2 | | | | |
| 020 | GM00002156 | SCREW 5X15 PM | | 2 | | | | |
| 021 | GM00002156 | SCREW 5X15 PM | | 2 | | | | |
| 022 | GM00002155 | NUT M5 | | 2 | | | | |
| 023 | GM00002313 | FRONT COVER ASSY | | 1 | | | | |
| 024 | GM00002314 | LENS ASSY | | 1 | | | | |
| 025 | GM00002315 | LENS O-RING | | 1 | | | | |
| 026 | GM00002316 | REFLECTOR ASSY | | 1 | | | | |
| 027 | GM00001332 | SCREW 3 X 8 PB | | 8 | | | | |
| 028 | GM00002317 | HEAT SINK O-RING | | 1 | | | | |
| 029 | GM00002318 | LED PCBA ASSY | | 1 | | | | |
| 030 | GM00001332 | SCREW 3 X 8 PB | | 4 | | | | |
| 031 | GM00002165 | SCREW 3X18 PT | | 2 | | | | |
| 032 | GM00002301 | SWITCH HOLDER | | 1 | | | | |
| 033 | GM00002302 | LEAD UNIT | | 1 | | | | |
| 034 | GM00002140 | SWITCH PCBA ASSY | | 1 | | | | |
| 035 | GM00002141 | SWITCH ASSY | | 1 | | | | |
| 036 | GM00002300 | HANDLE ASSY | | 1 | | | | |
| 037 | GM00002165 | SCREW 3X18 PT | | 7 | | | | |
| 038 | GM00002298 | MID-BODY ASSY | | 1 | | | | |
| D10 | | INC. 39-45 | | | | | | |
| 039 | GM00002258 | LATCH A | | 1 | | | | |
| 040 | GM00002257 | LATCH B | | 1 | | | | |
| 041 | GM00002256 | SHAFT B | | 1 | | | | |
| 042 | GM00002255 | SHAFT A | | 2 | | | | |

Please order the parts with part number.

Print Date 27/10/2023

Model No.ML003G CORDLESS WORKLIGHT

| Item | Parts No. | Description | I/C | Qty | New/Old | Opt. 1 | Opt. 2 | Note |
|-------|------------|----------------------------------|-----|-----|---------|--------|--------|------|
| 043 | GM00002309 | SPRING | | 1 | | | | |
| 044 | GM00002299 | LATCH O-RING | | 1 | | | | |
| 045 | GM00002310 | XGT LABEL | | 1 | | | | |
| 046 | GM00002137 | INSIDE-HEX SCREW | | 1 | | | | |
| 047 | GM00002137 | INSIDE-HEX SCREW | | 1 | | | | |
| 048 | GM00002297 | TERMINAL HOLDING PLATE O-RING | | 1 | | | | |
| 049 | GM00002295 | XGT TERMINAL ASSY | | 1 | | | | |
| 050 | GM00002296 | LXT TERMINAL ASSY | | 1 | | | | |
| 051 | GM00002294 | TERMINAL HOLDING PLATE ASSY | | 1 | | | | |
| 052 | GM00002165 | SCREW 3X18 PT | | 4 | | | | |
| 053 | GM00002306 | SILICONE SHEET | | 1 | | | | |
| 054 | GM00002292 | MAIN PCBA ASSY | | 1 | * | | | |
| 054-1 | GM00002489 | MAIN PCBA ASSY | < | 1 | | | | |
| 055 | GM00001332 | SCREW 3 X 8 PB | | 2 | | | | |
| 056 | GM00002320 | EVA | | 1 | | | | |
| 057 | GM00002319 | POWER CASE | | 1 | | | | |
| 058 | GM00002165 | SCREW 3X18 PT | | 4 | | | | |
| 059 | GM00002293 | HOUSING CONNECTOR | | 1 | | | | |
| A01 | GM00002312 | ANTI-GLARE FILM | | 1 | * | | | |
| A02 | GM00002073 | TRIPOD | | 1 | * | | | |
| A03 | GM00001396 | WISE | | 1 | * | | | |

Please order the parts with part number.

Print Date 27/10/2023