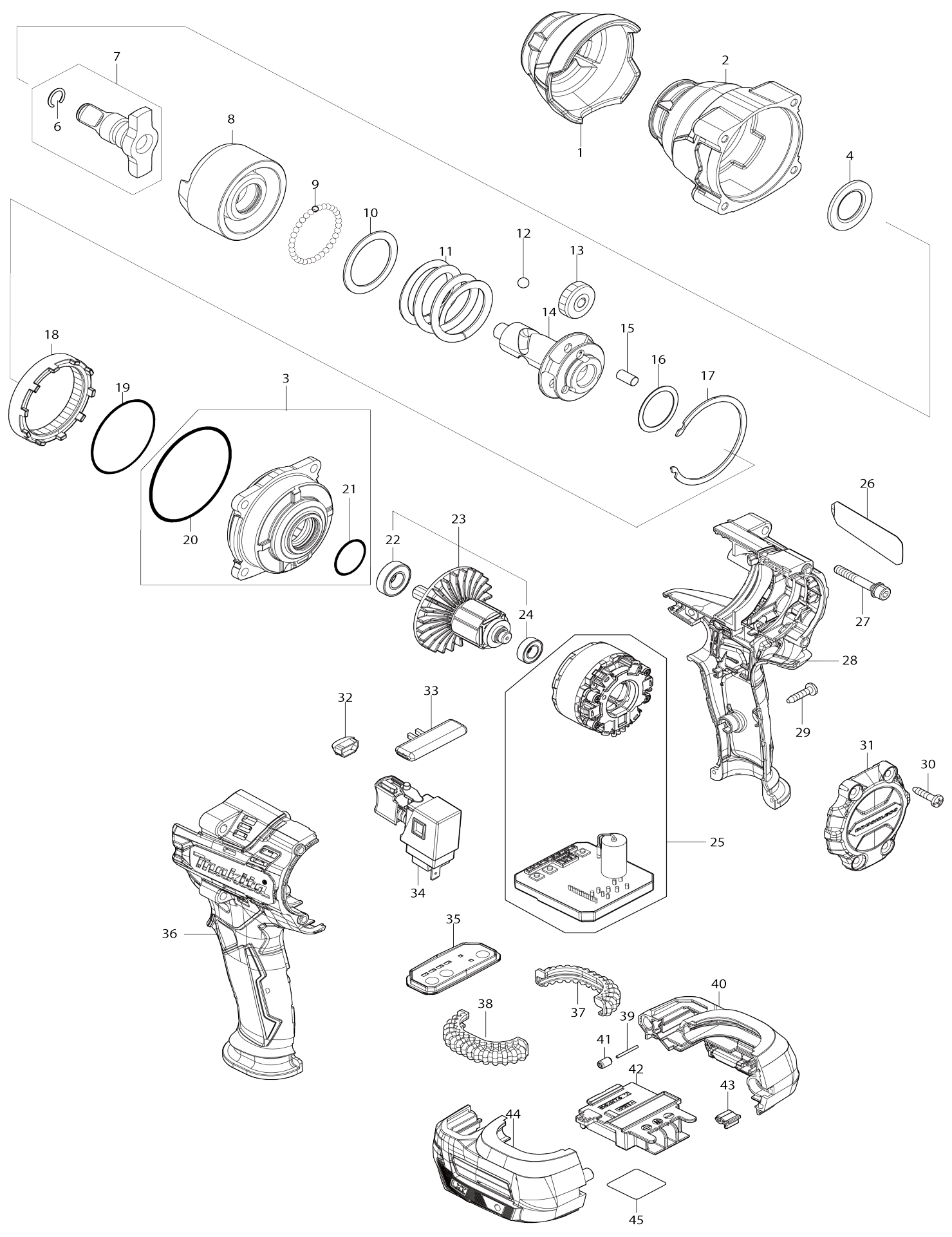


# Model No.DTW700 CORDLESS IMPACT WRENCH



Model No.DTW700 CORDLESS IMPACT WRENCH

Item No.	Parts No.	Description	Interchangability	Q'ty	New/Old	Note1	Note2
001	422607-6	BUMPER		1			
002	140U47-9	HAMMER CASE COMPLETE		1	*		
002-1	141U35-9	HAMMER CASE COMPLETE	<	1			
003	136296-8	INTERNAL GEAR CASE ASS'Y		1			
D10		INC. 20,21					
004	253481-9	FLAT WASHER 20		1			
006	231907-1	RING SPRING 10		1			
007	136256-0	ANVIL ASS'Y		1			
D10		INC. 6					
008	327624-0	HAMMER		1			
009	216001-0	STEEL BALL 3.5		33			
010	267340-1	FLAT WASHER 32		1			
011	232629-6	COMPRESSION SPRING 34		1			
012	216007-8	STEEL BALL 6.4		2			
013	227813-6	SPUR GEAR 21		3			
014	327623-2	SPINDLE		1			
015	256211-7	PIN 6		3			
016	267494-4	FLAT WASHER 25		1	*		
016-1	267127-1	FLAT WASHER 26	O	1			
017	347722-4	RETAINER		1			
018	227814-4	INTERNAL SPUR GEAR 48		1			
019	213624-5	O RING 48		1	*		
020	213654-6	O RING 60		1			
021	213961-7	O RING 22		1			
022	210069-8	BALL BEARING 6900DDW		1			
023	519635-1	ROTOR ASS'Y		1			
D10		INC. 22,24					
024	211343-7	BALL BEARING 688ZZ		1			
025	629A06-1	STATOR COMPLETE		1			
026	857M03-1	DTW700 NAME PLATE		1			
027	251476-6	H.S.H.BOLT M5X35 WITH WR		4	*		
027-1	265D13-4	H.S.H.BOLT M5X35 WITH WRM	<	4			
028	183P88-2	HOUSING SET		1			
D10		INC. 36					
029	266326-2	TAPPING SCREW 4X18		7			
030	266326-2	TAPPING SCREW 4X18		4			
031	412673-1	REAR COVER		1			
032	620549-0	LED CIRCUIT		1			
033	456268-0	F/R CHANGE LEVER		1			
034	140U03-9	SWITCH COMPLETE		1			
C10	424774-3	SWITCH COVER		1			
035	140U53-4	SWITCH PLATE COMPLETE		1			
C10	8012S9-8	SWITCH LABEL		1			
036	183P88-2	HOUSING SET		1			
D10		INC. 28					
037	424773-5	CUSHION RUBBER		1	*		
037-1	422A56-3	CUSHION RUBBER	<	1			

038	424773-5	CUSHION RUBBER		1	*		
038-1	422A56-3	CUSHION RUBBER	<	1			
039	268284-8	PIN 1.5		1			
040	183P89-0	BATTERY HOUSING SET		1			
C10	263005-3	RUBBER PIN 6		2			
C20	252126-6	HEX. LOCK NUT M4-7		2			
D10		INC. 44					
041	263036-2	RUBBER PIN 5		1			
042	643874-2	TERMINAL		1			
043	424517-3	CUSHION		1			
044	183P89-0	BATTERY HOUSING SET		1			
C10	263005-3	RUBBER PIN 6		2			
C20	252126-6	HEX. LOCK NUT M4-7		2			
D10		INC. 40					
045	857M11-2	DTW700 SERIAL NO. LABEL		1			
A01	251314-2	+ SCREW M4X12		1			
A02	347723-2	HOOK		1			
F01	191G67-2	EXTENSION HANDLE SET		1			
A03	***DC18RC	DC18RC FAST CHARGER		1			
D10		COMPO-PARTS					
A04	450128-8	BATTERY COVER		1			
A05	197280-8	BATTERY BL1850B SET		2			
A06	821551-8	CONNECTOR PLASTIC CASE (TYP E3)		1			
C10	453974-8	LATCH		4			
A07	837645-9	INNER TRAY		1			
A08	8019U3-6	DTW700RTJ PLASTIC CASE LABEL		2			
A09	8019U2-8	DTW700RTJ INDICATION LABEL		1			

Please state Parts No. when your order.

Print Date 10/25/2023