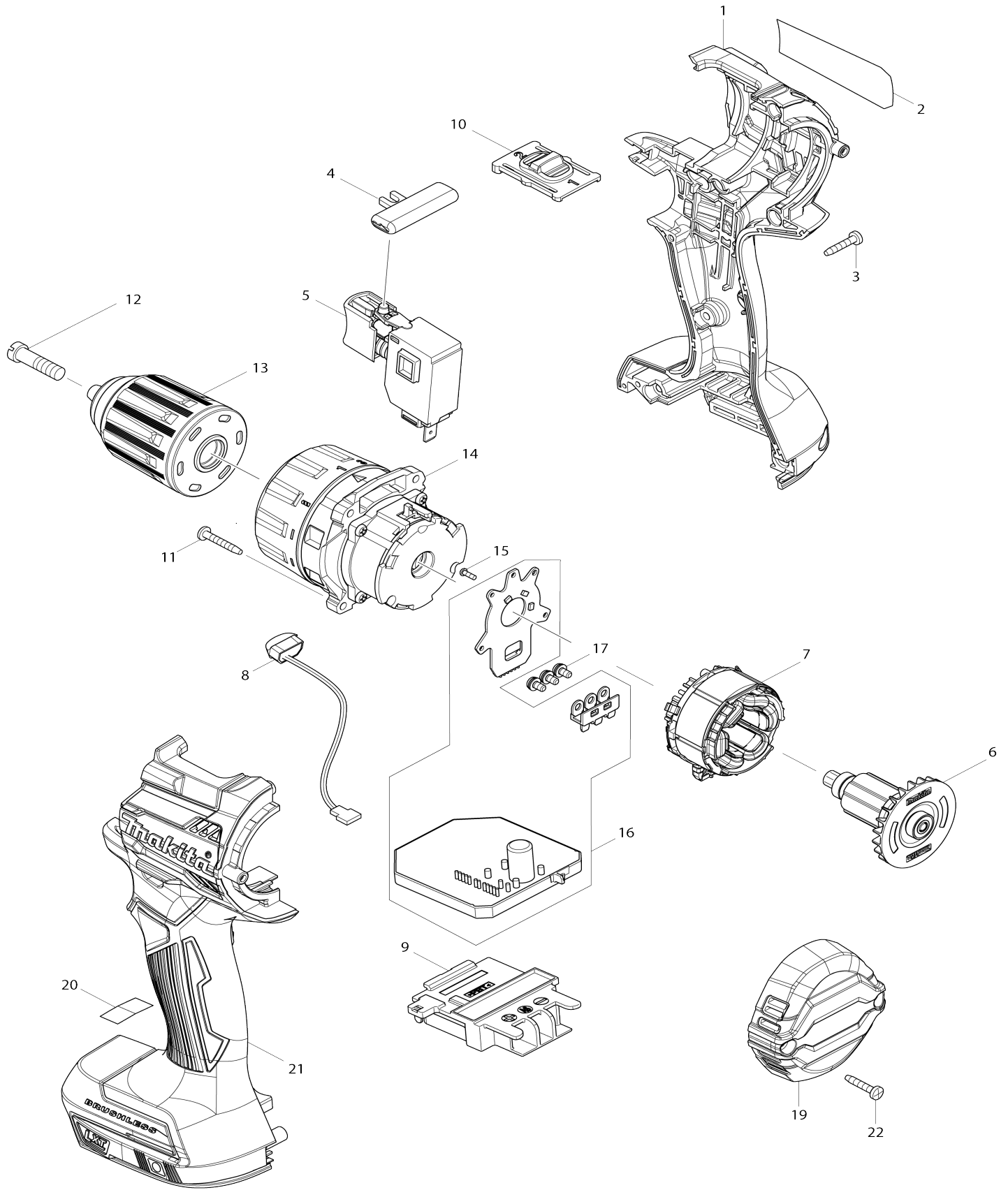


# Model No.DDF484 CORDLESS DRIVER DRILL



Model No.DDF484 CORDLESS DRIVER DRILL

Item No.	Parts No.	Description	Interchangeability	Q'ty	New/Old	Note1	Note2
001	183E71-3	HOUSING SET		1	*		
C10	263005-3	RUBBER PIN 6		2	*		
C20	252126-6	HEX. LOCK NUT M4-7		2	*		
001		INC. 21			*		
001-1	183L79-9	HOUSING SET	<	1			
C10	263005-3	RUBBER PIN 6		2			
C20	252126-6	HEX. LOCK NUT M4-7		2	*		
C21	252303-0	HEX. LOCK NUT M4-7	O	2			
001-1		INC. 21					
001-1	183L79-9	HOUSING SET		1			
C10	263005-3	RUBBER PIN 6		2			
C20	252126-6	HEX. LOCK NUT M4-7		2	*		
C21	252303-0	HEX. LOCK NUT M4-7	O	2			
001-1		INC. 21					
002	852M14-1	DDF484 NAME PLATE		1			
003	266429-2	TAPPING SCREW 3X16		7	*		
003-1	266130-9	TAPPING SCREW BIND PT 3X16	O	7			
004	419041-9	F/R CHANGE LEVER		1			
005	650710-5	SWITCH C3JW-4B		1	*		
005	650710-5	SWITCH C3JW-4B		1	*		
005-1	650006-4	SWITCH TGRK2-1	O	1			
005-1	650006-4	SWITCH TGRK2-1	O	1			
006	619406-7	ROTOR		1	*		
006-1	619406-7	ROTOR	O	1			
006-1	619406-7	ROTOR		1			
007	629225-3	STATOR		1			
008	620549-0	LED CIRCUIT		1			
009	643874-2	TERMINAL		1			
010	123738-1	SPEED CHANGE LEVER ASSEMBLY		1			
C10	233438-6	COMPRESSION SPRING 4		2			
011	251497-8	TAPPING SCREW 3X20		4	*		
011-1	265D32-0	TAPPING SCREW 3X20	O	4			
012	251468-5	- FLAT HEAD SCREW M6X22		1	*		
012-1	265D43-5	- FLAT HEAD SCREW M6X17	S	1	*		
012-2	265D44-3	- FLAT HEAD SCREW M6X17	X	1			
013	766027-7	KEYLESS DRILL CHUCK 13		1	*		
013-1	763268-6	KEYLESS DRILL CHUCK 13	S	1			
014	123737-3	GEAR ASSEMBLY		1	*		
014-1	127500-6	GEAR ASSEMBLY	<	1			
014-1	127500-6	GEAR ASSEMBLY		1			
015	266490-9	TAPPING SCREW PT 2X6		3	*		
015-1	265C47-1	TAPPING SCREW PT 2X6	O	3			
016	620548-2	CONTROLLER		1			
017	652069-6	FLAT HEAD SCREW M3X6		3			
019	456967-4	REAR COVER		1			
021	183E71-3	HOUSING SET		1	*		
C10	263005-3	RUBBER PIN 6		2	*		

C20	252126-6	HEX. LOCK NUT M4-7		2	*		
021		INC. 1			*		
021-1	183L79-9	HOUSING SET	<	1			
C10	263005-3	RUBBER PIN 6		2			
C20	252126-6	HEX. LOCK NUT M4-7		2	*		
C21	252303-0	HEX. LOCK NUT M4-7	O	2			
021-1		INC. 1					
021-1	183L79-9	HOUSING SET		1			
C10	263005-3	RUBBER PIN 6		2			
C20	252126-6	HEX. LOCK NUT M4-7		2	*		
C21	252303-0	HEX. LOCK NUT M4-7	O	2			
021-1		INC. 1					
022	266429-2	TAPPING SCREW 3X16		2	*		
022-1	266130-9	TAPPING SCREW BIND PT 3X16	O	2			
A01	251314-2	+ TRUSS HEAD SCREW M4X12		1			
A02	346317-0	HOOK		1			
A02E	346449-3	HOOK		1			
A03	784637-8	+ - BIT 2-45		1			
A04	821550-0	CONNECTOR PLASTIC CASE (TYP E2)		1			
C10	453974-8	LATCH		4			
A04I	141331-9	PLASTIC CASE COMPLETE		1			
C10	324667-3	SHAFT		1			
C20	417724-5	LATCH		2			
C30	419216-0	HANDLE		1			
C40	450830-3	PLASTIC CASE LID		1			
C50	451028-5	PLATE		5			
A05	450128-8	BATTERY COVER		2			
A06	***DC18RC	DC18RC FAST CHARGER		1			
A06		COMPO-PARTS					
A07B	197600-6	BATTERY BL1830B SET		2	*		
A07	197265-4	BATTERY BL1840B SET		3	*		
A07	197280-8	BATTERY BL1850B SET		4	*		
A07E	196235-0	BATTERY BL1815N SET		1			
A07-1 B	197600-6	BATTERY BL1830B SET	O	2			
A07-1	197265-4	BATTERY BL1840B SET	O	3			
A07-1	197280-8	BATTERY BL1850B SET	O	4			
A07-1	197280-8	BATTERY BL1850B SET		2			
A08	837916-4	INNER TRAY		1			
A09B	810B83-2	DDF484RFJ INDICATION LABEL		1			
A09C	810B88-2	DDF484RMJ INDICATION LABEL		1			
A09D	810B93-9	DDF484RTJ INDICATION LABEL		1			
A09E	810B81-6	DDF484Y1J INDICATION LABEL		1			
A09F	813C09-9	DDF484RM3J INDICATION LABEL		1			
A09J	810C00-8	DDF484RT3J INDICATION LABEL		1			
A09L	8020H9-2	DDF484JX1 INDICATION LABEL		1			
A10B	810B84-0	DDF484RFJ PLASTIC CASE LABEL		2			
A10C	810B89-0	DDF484RMJ PLASTIC CASE LABEL		2			
A10D	810B94-7	DDF484RTJ PLASTIC CASE LABEL		2			
A10E	810B82-4	DDF484Y1J PLASTIC CASE LABEL		2			
A10F	813C10-4	DDF484RM3J PLASTIC CASE LABE		2			

		L				
A10J	810C01-6	DDF484RT3J PLASTIC CASE LABE L		2		
A10L	8020J0-4	DDF484JX1 PLASTIC CASE LABEL		2		
A11-1 L	197600-6	BATTERY BL1830B SET		1		
F05	191E41-8	GRIP ASSEMBLY SET		1		

Please state Parts No. when your order.

Print Date 03/17/2025